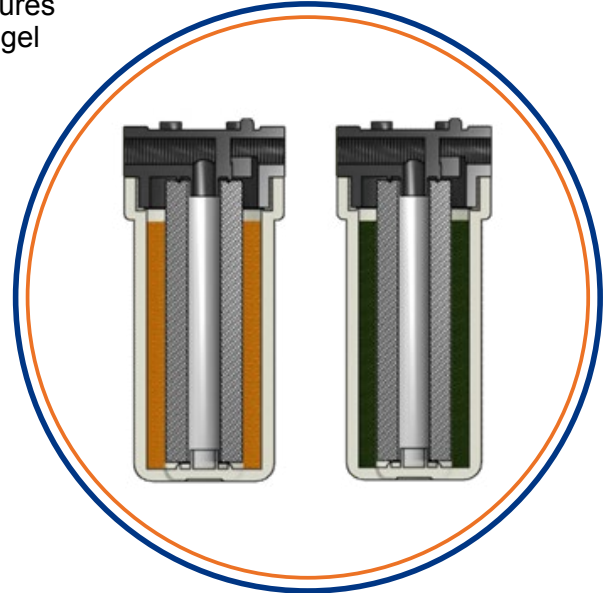
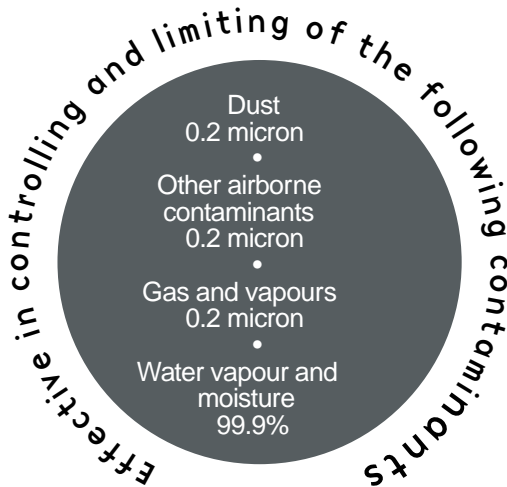


Technical Publication B1-15

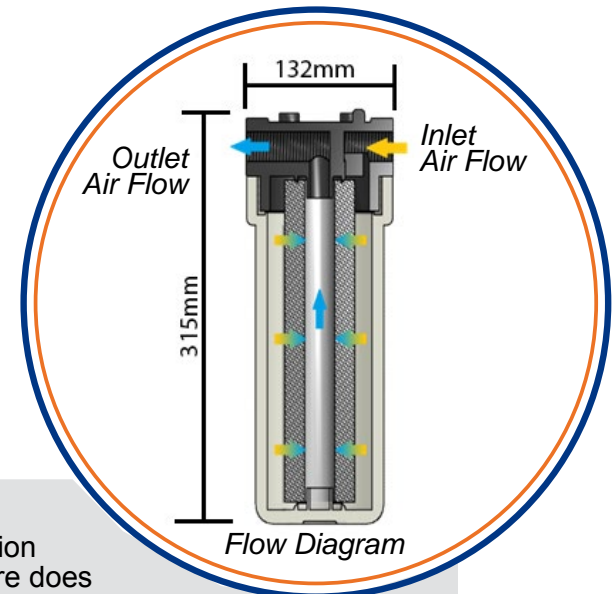
Filter Focus breather systems should be fitted to all hydrocarbon reservoirs, whether diesel or oil. The polypropylene filter cartridge ensures contamination does not enter the reservoir, while the silica gel ensures moisture does not enter the hydrocarbon.

Tribological research has shown that up to two thirds of contamination enters during operation. Research confirms that it is 10x more cost effective to eliminate the contaminant from entering, than to try and remove it with filtration.



Filter Focus FF-DB-10F" breather before water absorption (left) and after water absorption (right)

Model	Element	No. of Elements	Micron Rating	Desiccant	Length
FF-B-05F	BE-05-S	1	0.2	NO	5"
FF-B-10F	BE-10-S	1	0.2	NO	10"
FF-B-10D	BE-10-S	2	0.2	NO	10"
FF-DB-05F	BE-05-SSG	1	0.2	YES	5"
FF-DB-10F	BE-10-SSG	1	0.2	YES	10"
FF-DB-10D	BE-10SSG	2	0.2	YES	10"



- Filter Focus breather systems can be fitted to any hydrocarbon reservoir. The polypropylene filter cartridge ensures contamination does not enter the reservoir, while the silica gel ensures moisture does not enter the hydrocarbon.
- The clear housing allows the user to see what is happening inside the breather for easy analysis.
- The silica gel changes color from bright orange to green-black when moisture is absorbed. This allows for easy determination of cartridge replacement intervals.
- The silica gel is capable of absorbing over 30% of its own weight in water vapour.